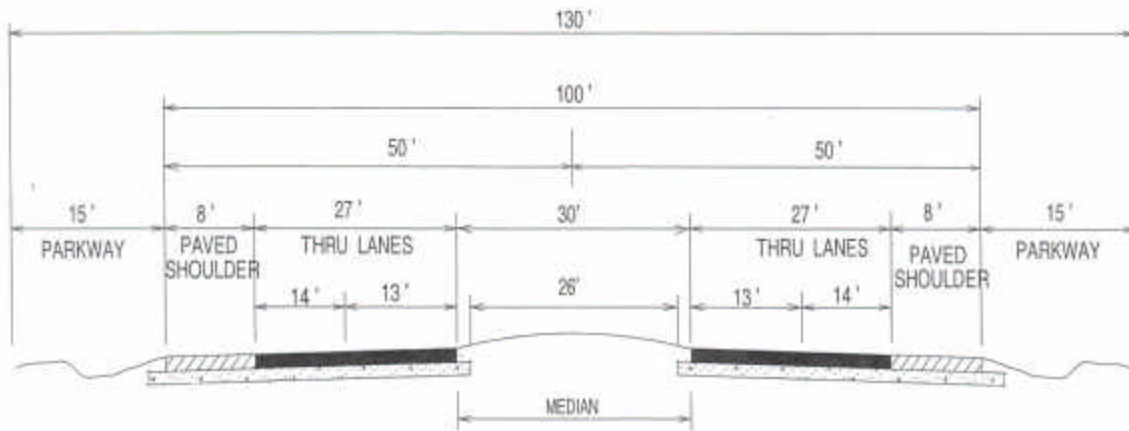


FORT WORTH, TEXAS STREET DESIGN STANDARDS

- **RURAL (ALTERNATIVE) CROSS SECTIONS**



CROSS SECTION - PRINCIPAL ARTERIAL (P4DA)

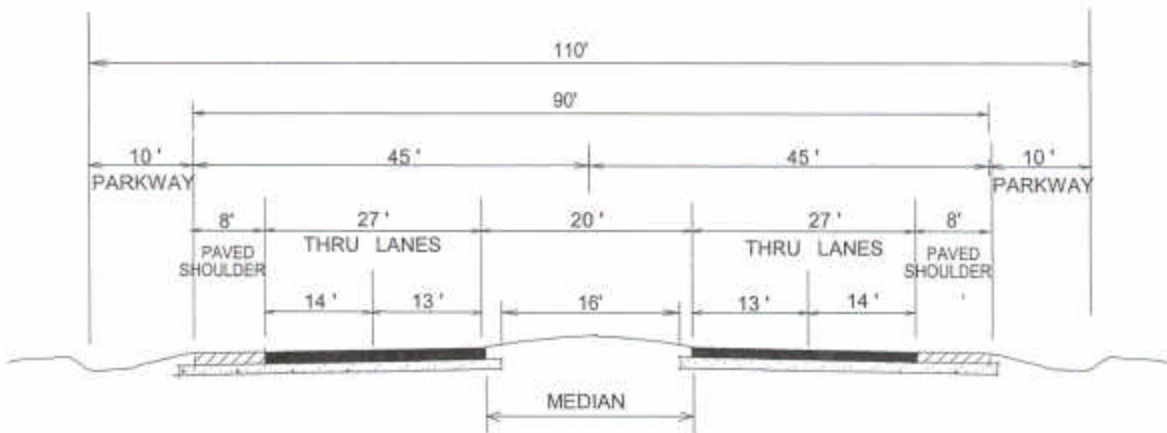
CITY OF FORT WORTH STREET STANDARDS

ALTERNATIVE (ETJ)
DESIGN STANDARDS

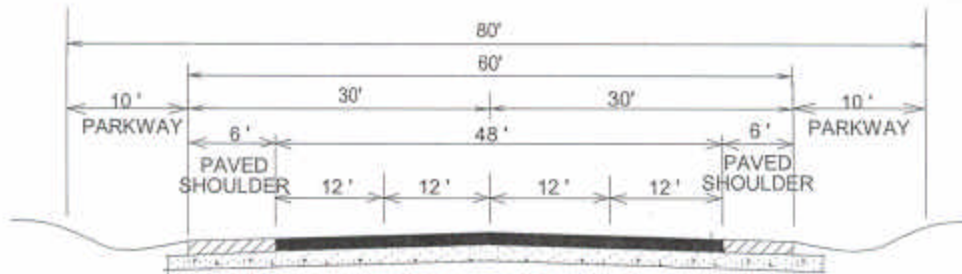
PRINCIPAL ARTERIALS

Date 3-1-2001

Sheet No.
FIGURE 8



CROSS SECTION - MAJOR ARTERIAL (MA4DA)



CROSS SECTION - MINOR ARTERIAL (M4A)

CITY OF FORT WORTH STREET STANDARDS

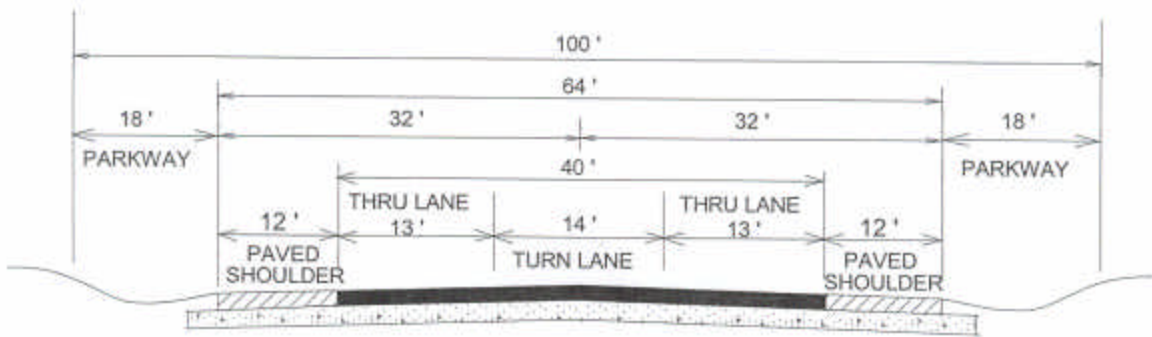
ALTERNATIVE (ETJ)
DESIGN STANDARDS

MAJOR AND MINOR ARTERIALS

Date 3-1-2001

Sheet No.

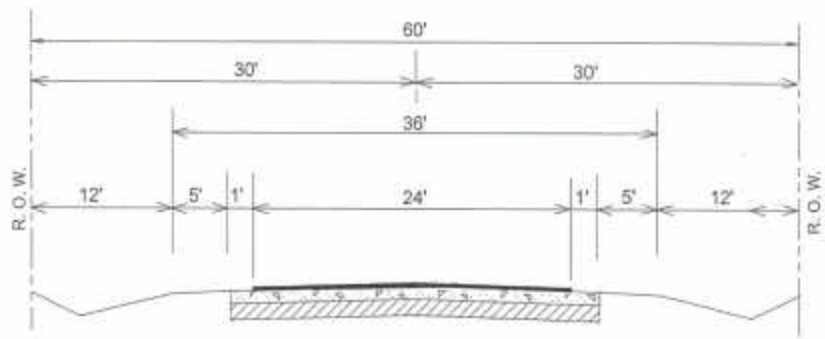
FIGURE 9



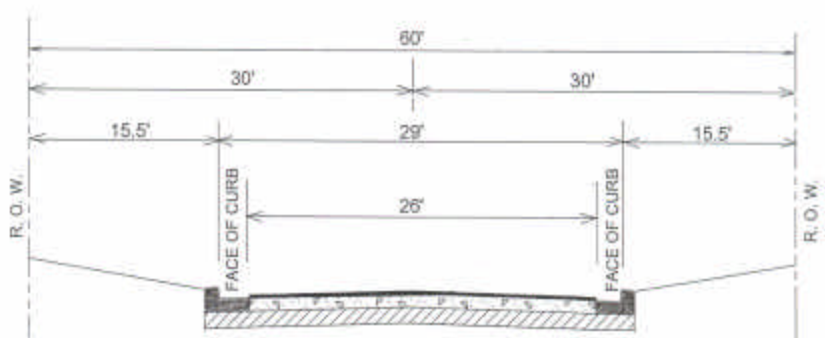
CROSS SECTION - INDUSTRIAL STREET (I3A)

CITY OF FORT WORTH STREET STANDARDS

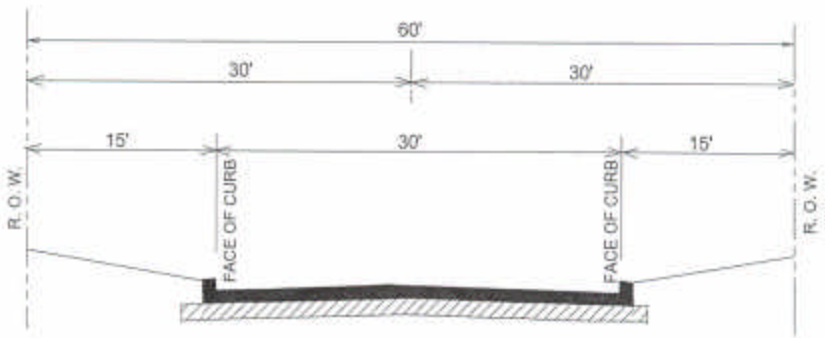
ALTERNATIVE (ETJ) DESIGN STANDARDS	INDUSTRIAL STREETS	Date 3-1-2001
		Sheet No. FIGURE 10



CROSS SECTION - LOCAL - OPTION 'A'



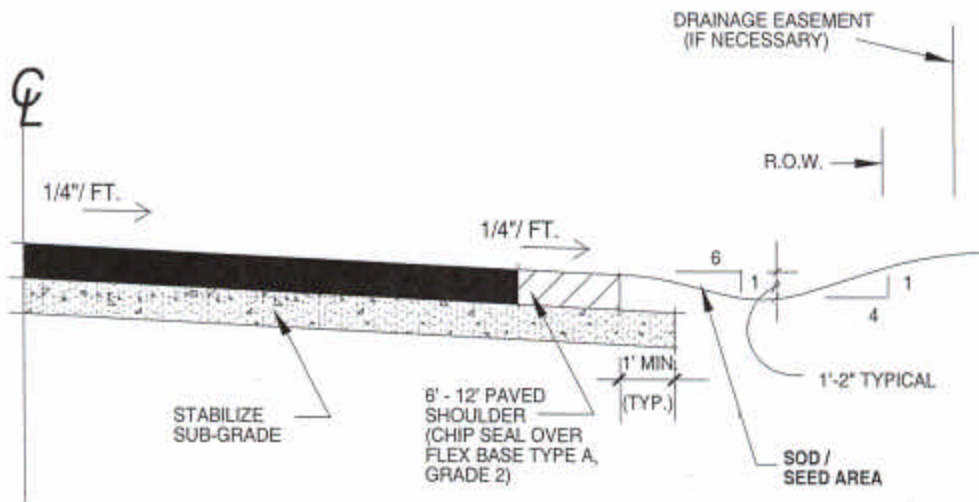
CROSS SECTION - LOCAL - OPTION 'B'



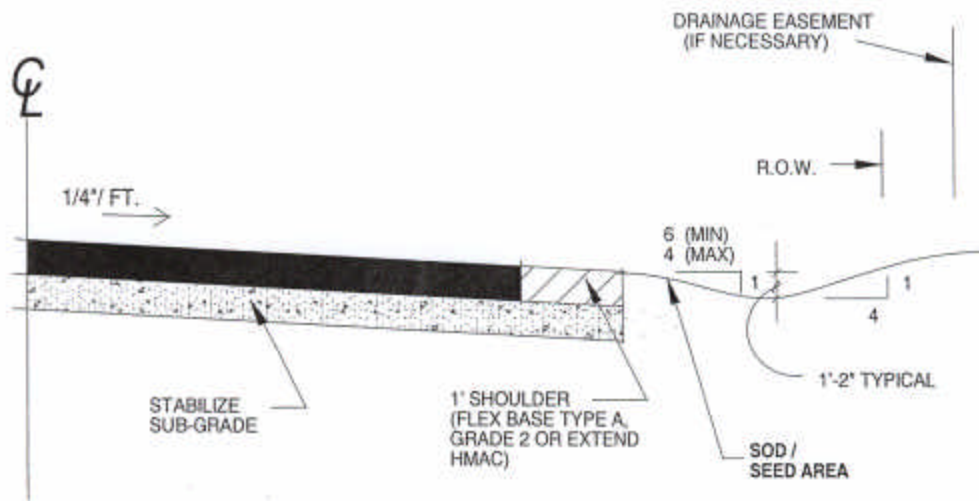
CROSS SECTION - LOCAL - OPTION 'C'

CITY OF FORT WORTH STREET STANDARDS

ALTERNATIVE (ETJ) DESIGNSTANDARDS	RESIDENTIAL STREETS	Date 3-1-2001
		Sheet No. FIGURE 11



ARTERIAL AND INDUSTRIAL STREETS



RESIDENTIAL STREETS

CITY OF FORT WORTH STREET STANDARDS

SIDE SLOPES	SIDE SLOPES ALTERNATIVE STREETS	Date 3-1-2001
		Sheet No. FIGURE 12