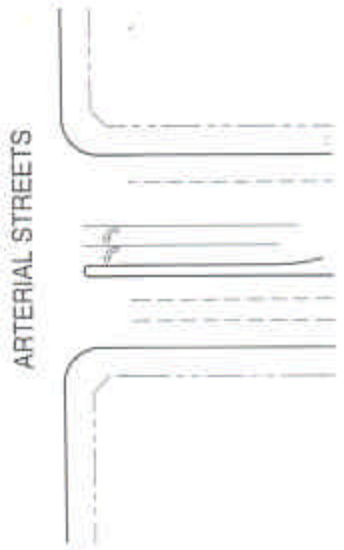
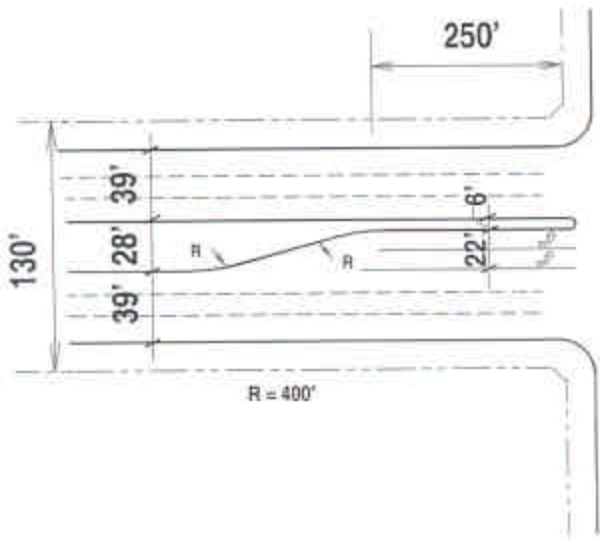
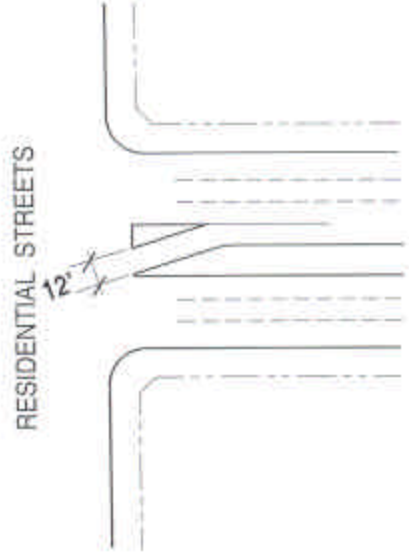
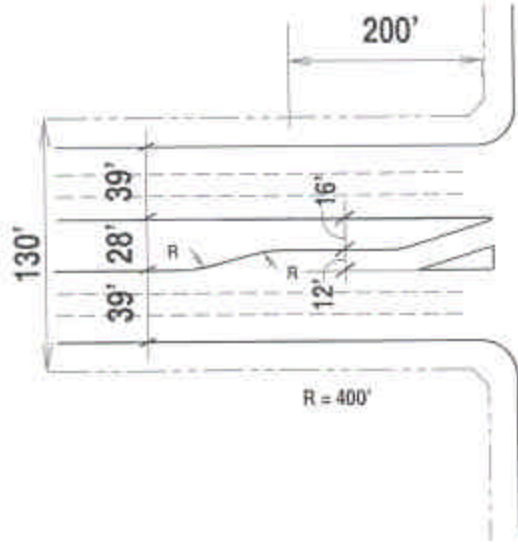


# **FORT WORTH, TEXAS STREET DESIGN STANDARDS**

- **TURN LANE STANDARDS**



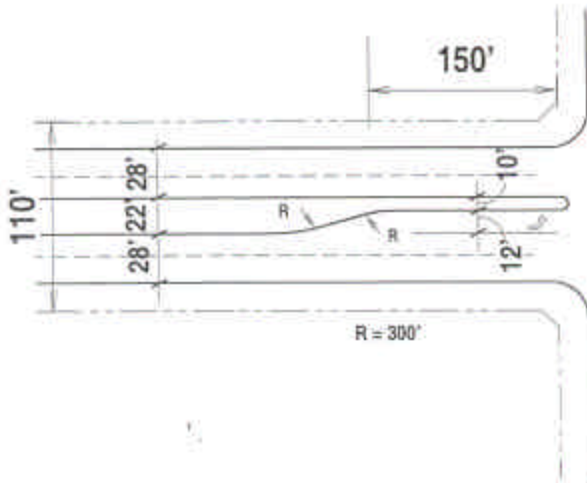
PRINCIPAL ARTERIAL DUAL LEFT TURN LANES



PRINCIPAL ARTERIAL SINGLE LEFT TURN LANES

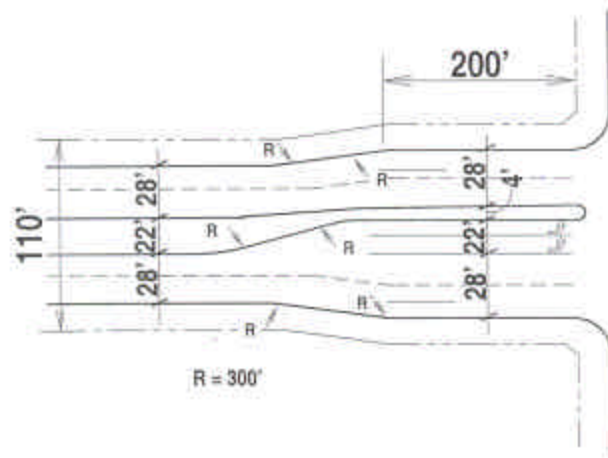
CITY OF FORT WORTH STREET STANDARDS

PRINCIPAL ARTERIAL TURN LANES	DUAL LEFT TURN LANES	Date 3-1-2001
	SINGLE LEFT TURN LANES	Sheet No. FIGURE 2



ARTERIAL STREETS  
RESIDENTIAL STREETS

MAJOR ARTERIAL SINGLE LEFT TURN LANES



ARTERIAL STREETS

MAJOR ARTERIAL DUAL LEFT TURN LANES  
(WIDEN AT INTERSECTIONS)

CITY OF FORT WORTH STREET STANDARDS

MAJOR ARTERIAL  
TURN LANES

SINGLE LEFT TURN LANES  
DUAL LEFT TURN LANES

Date  
3-1-2001

Sheet No.

FIGURE 3