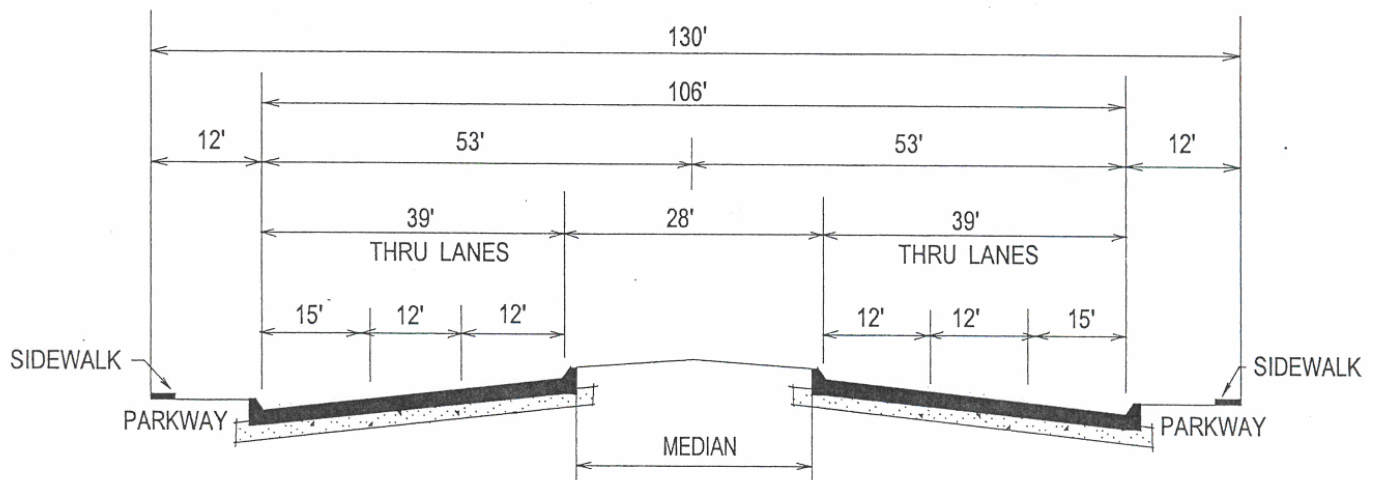


# **FORT WORTH, TEXAS STREET DESIGN STANDARDS**

- **URBAN STANDARD CROSS SECTIONS**



CROSS SECTION - PRINCIPAL ARTERIAL (P6D)

# CITY OF FORT WORTH STREET STANDARDS

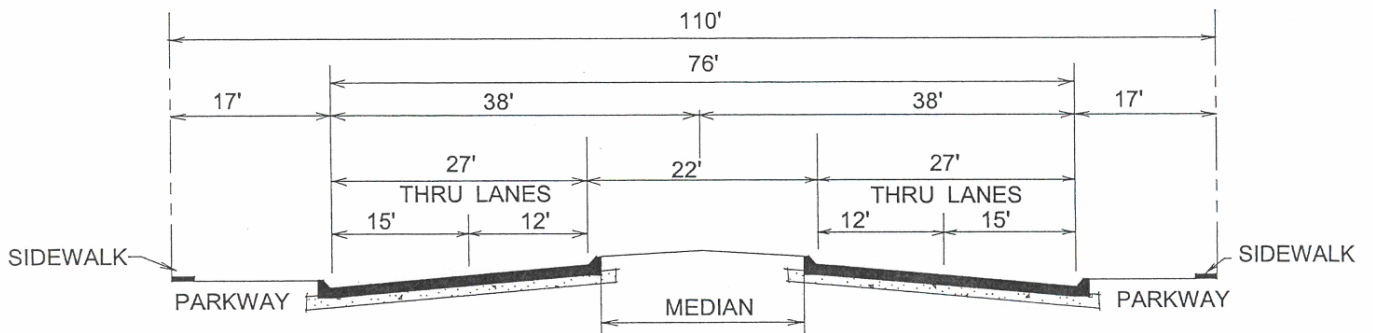
URBAN DESIGN  
STANDARDS

PRINCIPAL ARTERIALS

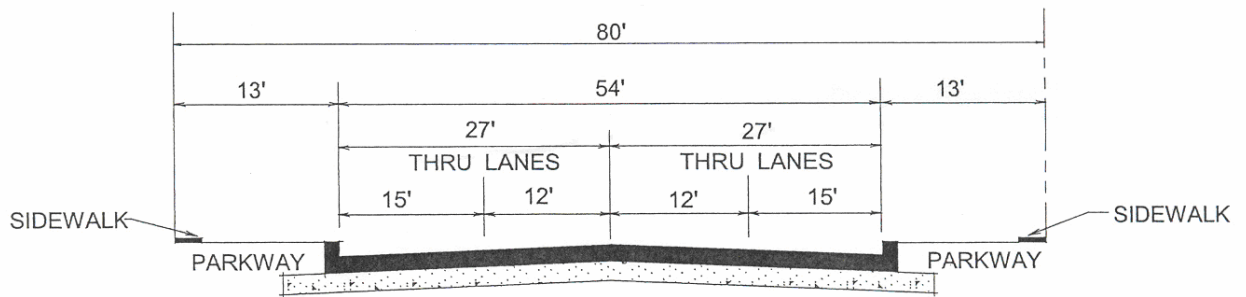


Date  
10/29/2007

Sheet No.  
FIGURE 4



CROSS SECTION - MAJOR ARTERIAL (MA4D)



CROSS SECTION - MINOR ARTERIAL (M4U)

# CITY OF FORT WORTH STREET STANDARDS

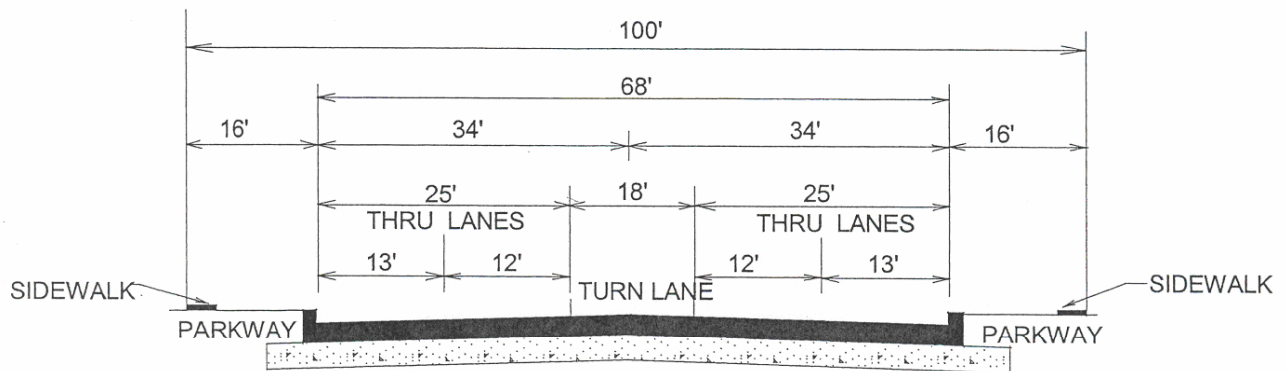
URBAN DESIGN  
STANDARDS

MAJOR ARTERIALS  
MINOR ARTERIALS

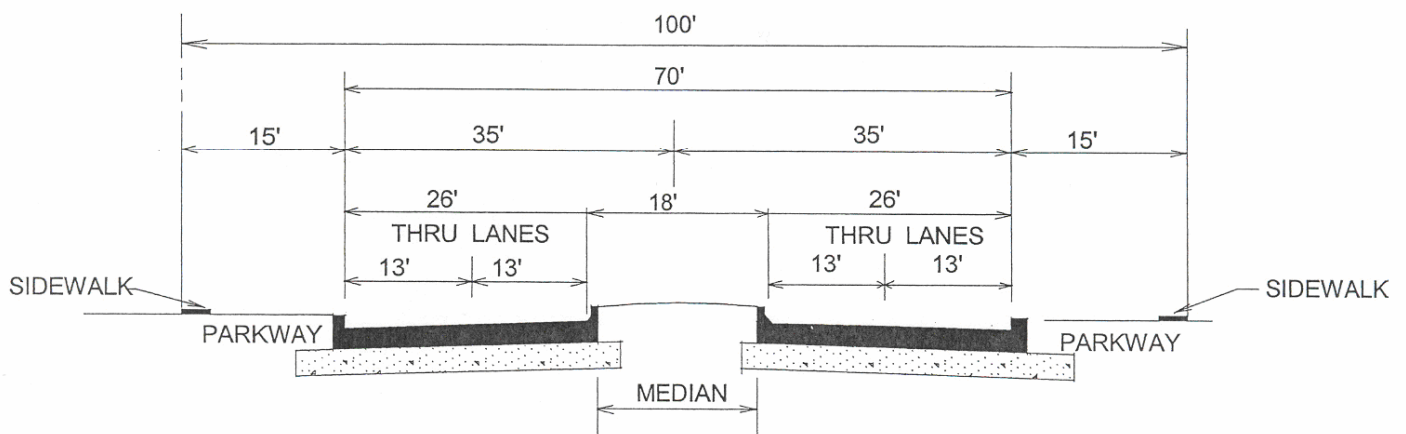


Date  
10/29/2007

Sheet No.  
FIGURE 5



**CROSS SECTION - INDUSTRIAL STREET (I5U)**



**CROSS SECTION - INDUSTRIAL STREET (I4D)**

# CITY OF FORT WORTH STREET STANDARDS

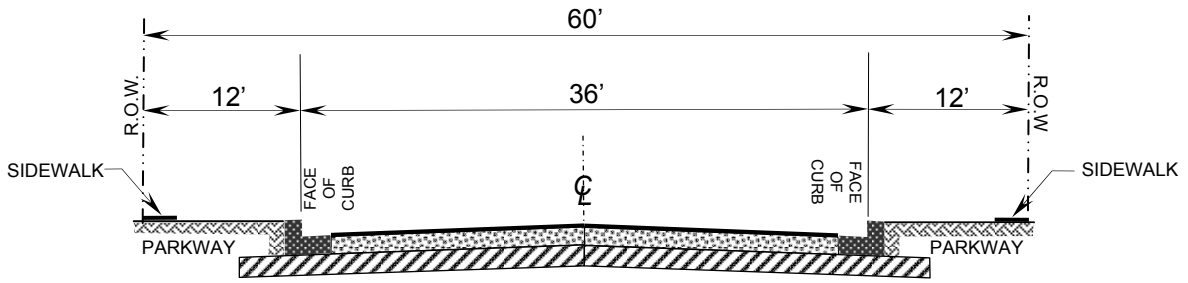
**URBAN DESIGN  
STANDARDS**

**INDUSTRIAL STREETS**

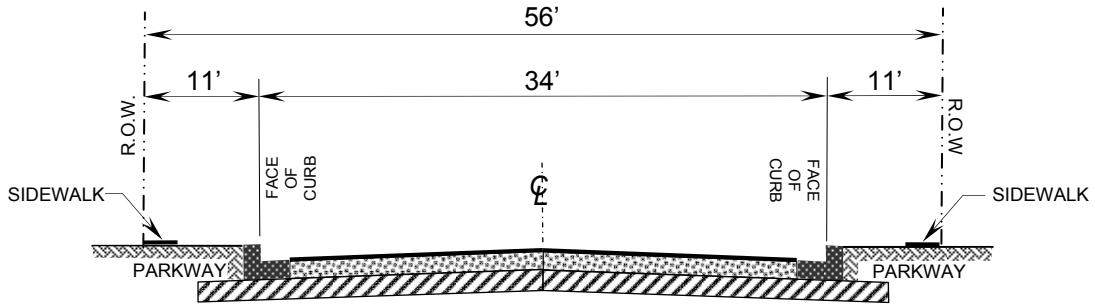


Date  
10/29/2007

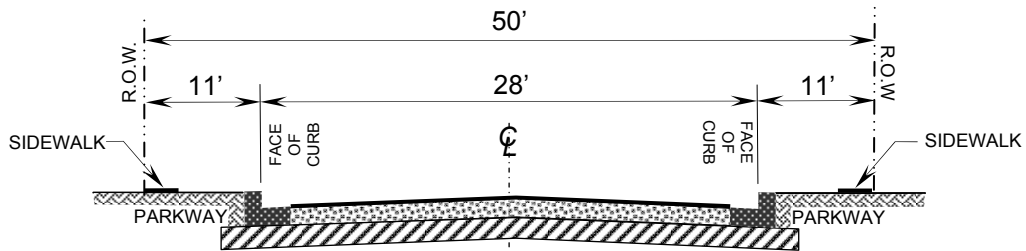
Sheet No.  
FIGURE 6



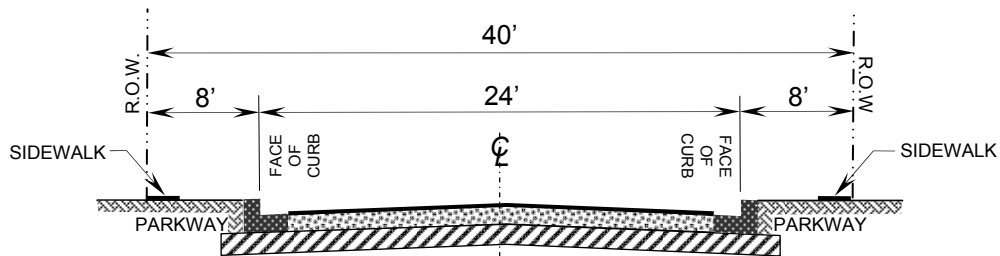
**CROSS SECTION – MAJOR COLLECTOR (MC)**



**CROSS SECTION – COLLECTOR (C)**



**CROSS SECTION – LOCAL STREET (L)**



**CROSS SECTION – LIMITED LOCAL STREET (LL)**

# CITY OF FORT WORTH STREET STANDARDS

**URBAN DESIGN  
STANDARDS**

**RESIDENTIAL STREETS**



Date  
10/29/2007

Sheet No.  
FIGURE 7