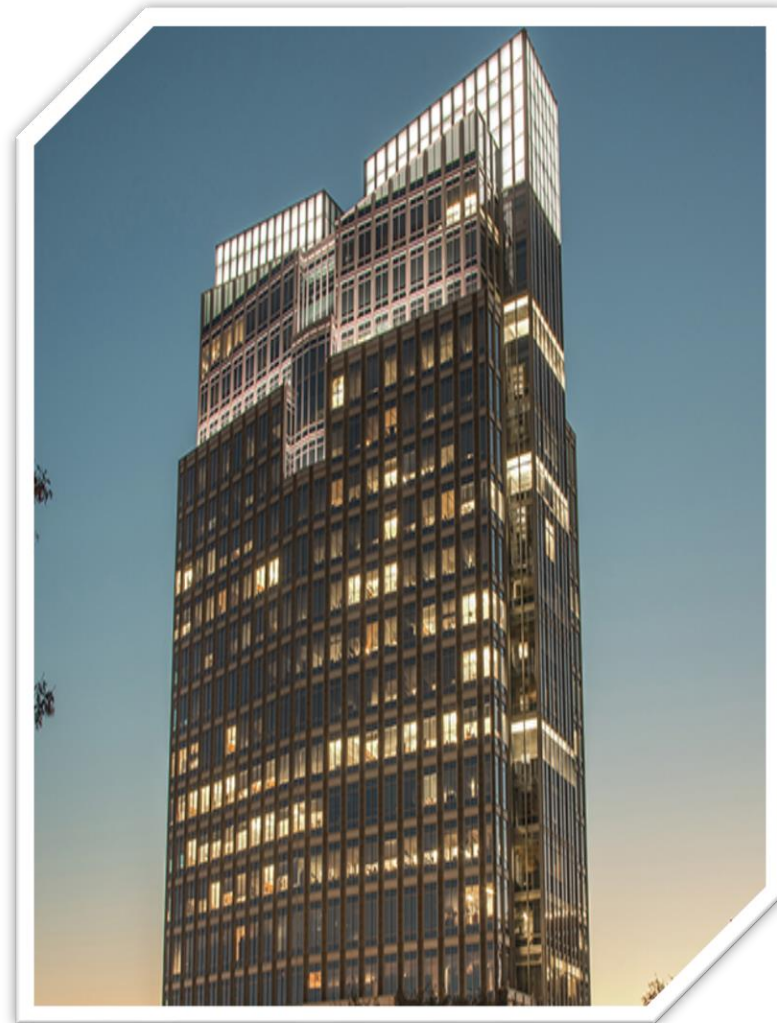


City of Fort Worth Future City Hall

Mayor and Council Quarterly Update

10-24-2023



Agenda



- Project Updates
- Management Forum Overview
- Security Program Overview
- Stacking and Ready for Use Overview
- Questions and Final Thoughts

Inclusive and Engaging Public Space

Maintain Class A Look and Feel

Efficient, Equitable, and Flexible Workspaces

Sustainable and Cost-Efficient Building

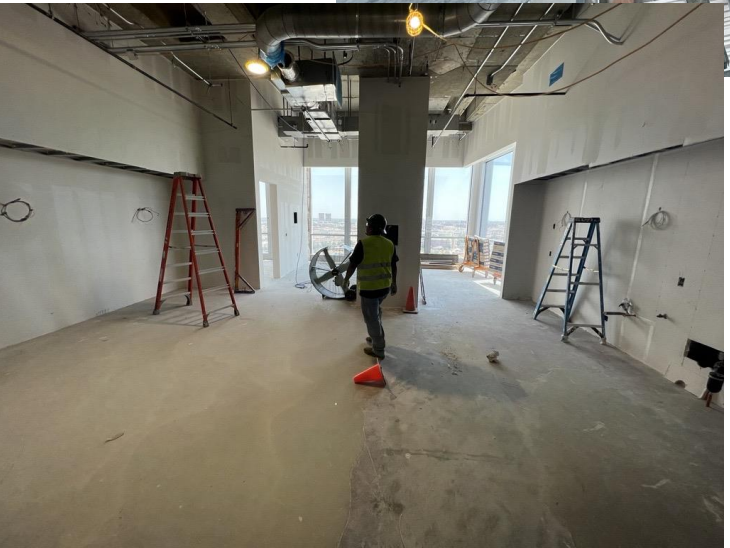
Transformational Delivery of City Services

Vision for the Next 50 years

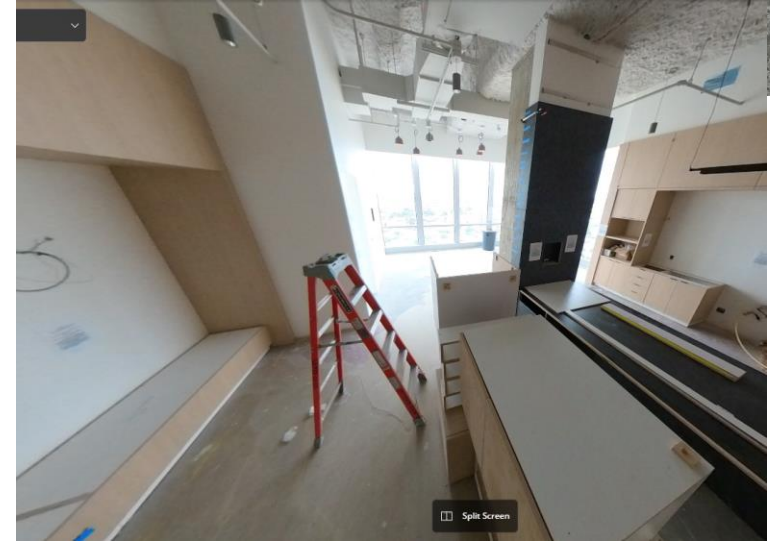


20th Floor Update

August



October



Council Chambers Progress Update

- Federal permit granted 7/25/23
- Piers are now substantially complete (120 total)
- Superstructure starts in the coming weeks
- Heavy timber delivery in January 2024
- First chamber meetings targeted for Winter 2024-2025

August



October



Council Chambers Progress Update

Hold for Latest Council Video 10/24

Business Equity Spend Tracking

- Here is how the 3 main contracts on the project are currently tracking

- Key Recently Awarded Bids:

- Multiple Floor Painting – Vela Brothers (100% MWBE)
- Structured Cabling – ABLe Communications (100% MWBE)
- Chamber Interiors – DMG Interiors, Aaron Architectural, Alliance Glass, Jupiter Renovations (Varying all above 25%)
- Chambers Roofing – Eubank Roofing (45% MWBE)

	BE Goal	Current Participation	Contract Progress
A&E Services - BOKA Powell	26%	25%	85%
CMAR - Linbeck Group	30%	29%	25%
Program Management - Athenian Group	10%	79%	84%

Security and Access Control



The security plan for the new city hall building involves a multi-layered approach that combines:

- Marshal and security team presence
- Advanced camera systems
- State-of-the-art access control systems
- Destination driven elevators
- Weapons detection systems

Through a multitude of deterrents these measures aim to create a secure environment, mitigating safety issues for occupants and protecting sensitive information while instilling operating confidence in the facility.

Security and Access Control

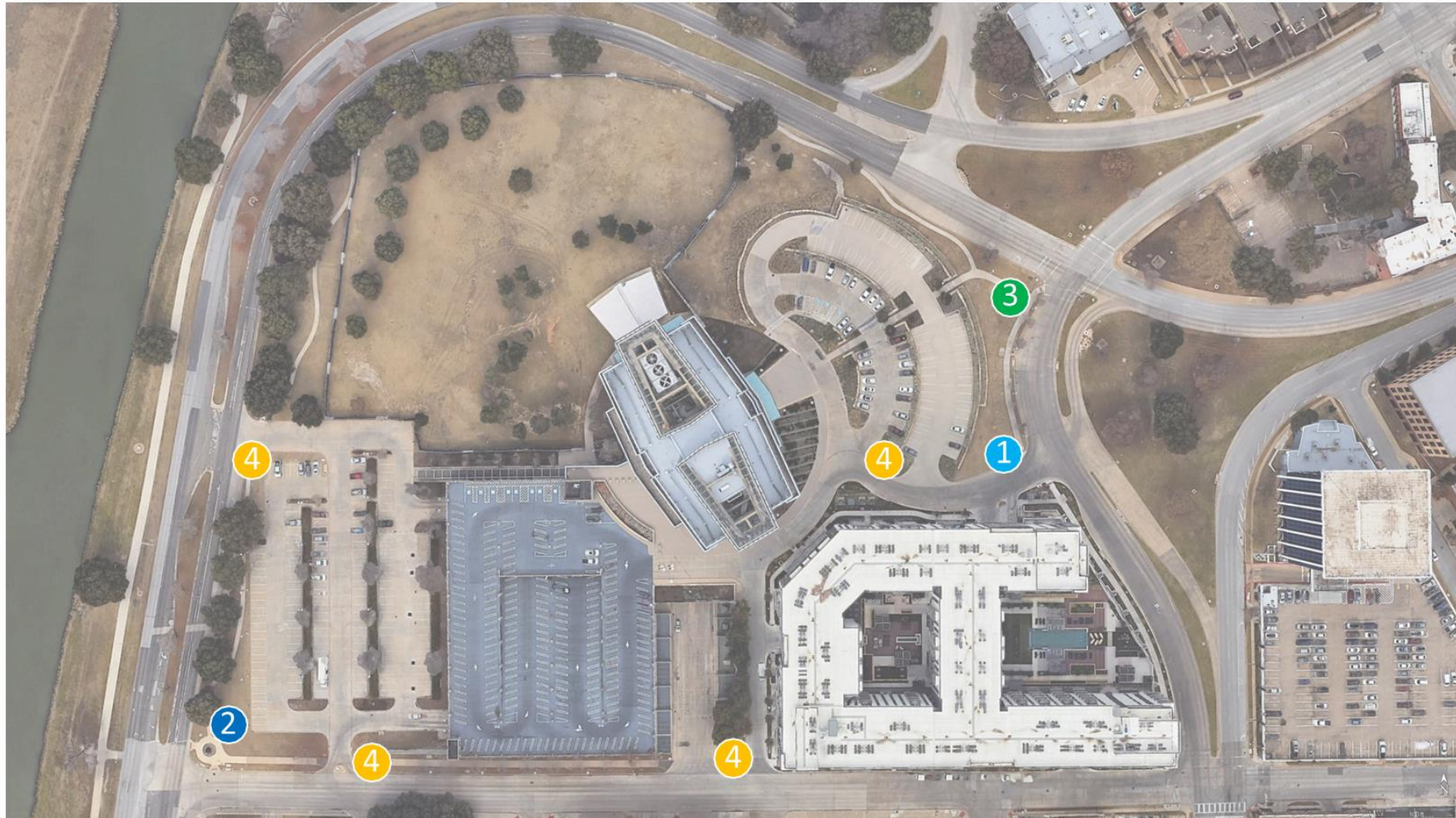
In addition to these key infrastructure items, the City committee on security is working through the following items for final commissioning prior to move in:

- Security staffing and support
- Weapons detection and supporting program
- Staff and public entrance finalization



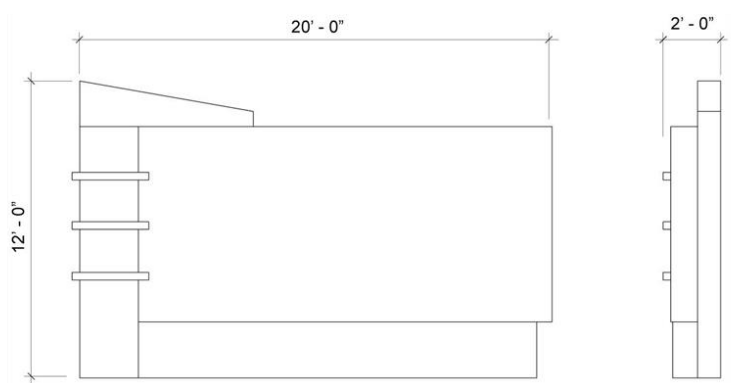
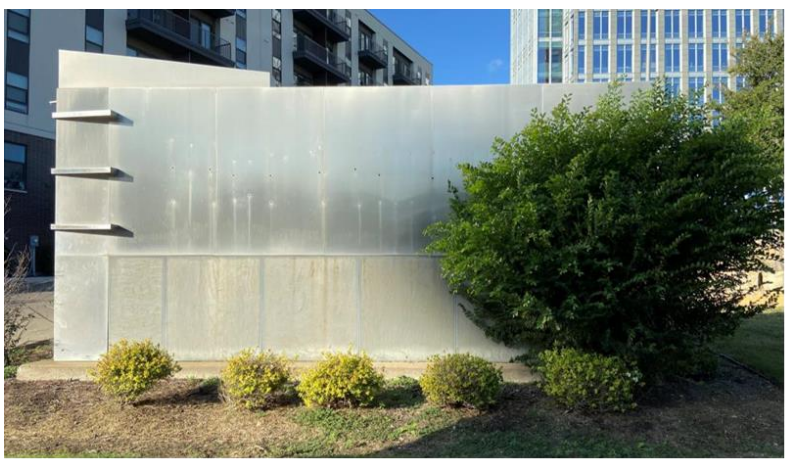
Building Signage and Wayfinding

- Current exterior signage placements
- Future Signage types and locations
- Both vehicular and pedestrian signage
- Spanish/English signage for key public functions

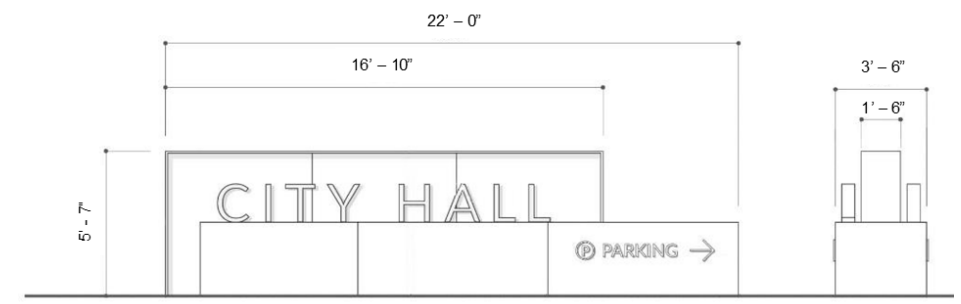


Building Front (Summit)

Old

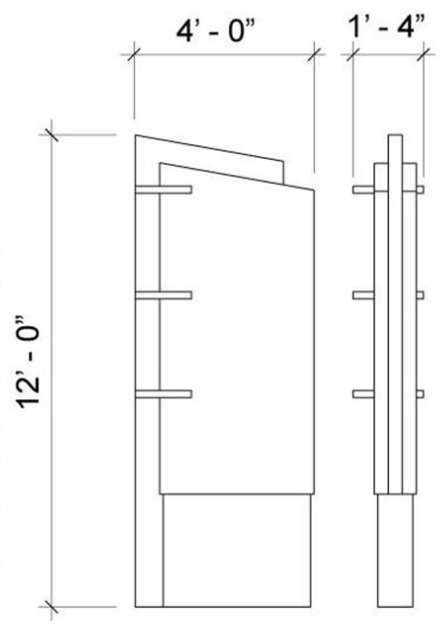


New

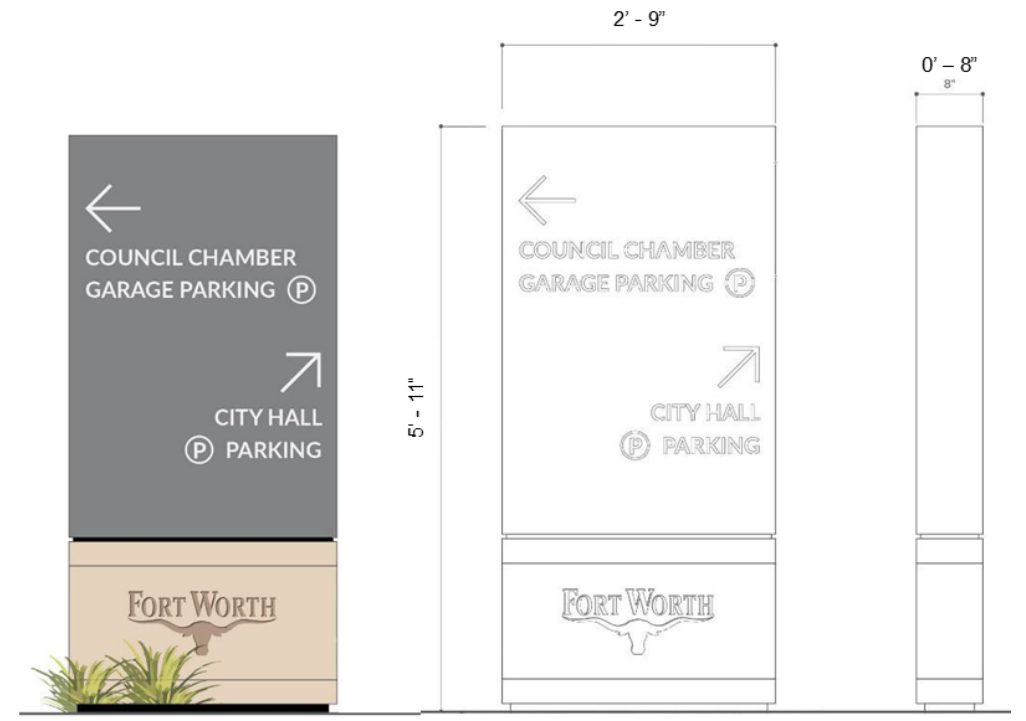


Building Monument Signs (5th and Forest Park)

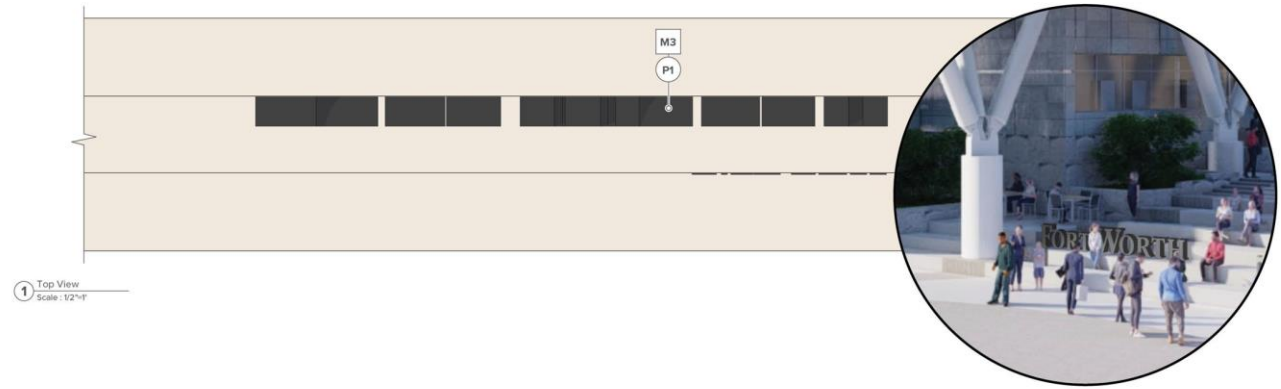
Old



New



Building Front and South Doors



1 Top View
Scale: 1/2"=1'



2 Front View
Scale: 1/2"=1'

Parking Expansion and Timing

- After extensive modeling and analysis, garage will expand vertically
- Provides sufficient parking for staff and visitors, while retaining the surface lot parking
- Reduces garage downtime, with construction estimated to take 4-5 months (only 30 days of garage closure prior to any occupancy issues)
- Plan will include screening for safety and updates to outdated parking gates
- Estimated completion will be in late Q2/early Q3 2024



Management Forum

- City management forum this week (26th and 27th)
- The forum includes supervisors, managers, and above to better inform them of move preparation and building operations going forward
- These teams will serve as the basis to support the overall change in way of work for the City
- Individual departments will also be briefed on many of these items as part of their individual move program

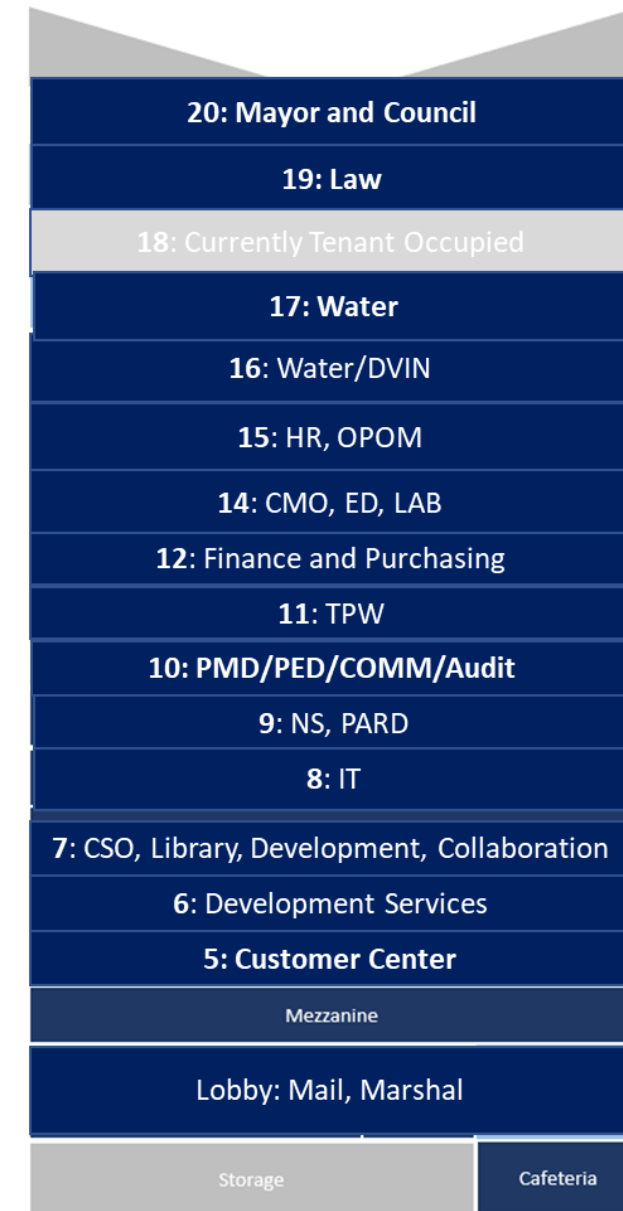
9:00 am	Welcome	David Cooke	5 min
9:05 am	Order of events	Dana/Jes	5 min
9:10 am	FCH Project Updates*	Tanyan Farley	10 min
9:20 am	Guest Speaker Video	Ronny Skinner, American Airlines	10 min
9:30 am	Policy & Operations Updates*	<ul style="list-style-type: none"> • Parking/Transportation (5) • Workspace Standards (10) • Safety and Security (15) • Technology (10) • Café and Gym (10) • Accommodations (5) 	55 min
10:25 am	Break		10 min
10:35 am	OCM Overview	Dana/Jes	5 min
10:40 am	Roundtable Discussions	<p>Departments</p> <ul style="list-style-type: none"> • Homework • Report out • <u>ThoughtExchange</u> feedback • Report out 	50 min total 20 min 10 min 20 min 10 min
11:30 am	Q&A	TBD (suggest panel style)	20 min

Stacking and Upcoming Floor Readiness Plan

Wave 1:

- **Floor 8** (Data Center) – Ready for Use – November 2023
- **Floor 20** – Ready for Use – January 2024
- **Floors 12 and 7** – Ready for Use – Late February/March 2024
- **Floors 14 and 19** – Ready for Use – April 2024
- **Floors 5 and 6** – Ready for Use – June 2024

Wave 2 dates being finalized and communicated to departments



Management Forums – October 26th and 27th

New Security Infrastructure Commissioned –
October/November

20th Floor (Mayor and Council) Ready for Use –
January 2024

12th and 7th Floors Ready for Use – February/March

Questions?